

# BEE - MuDSM PROGRAMME

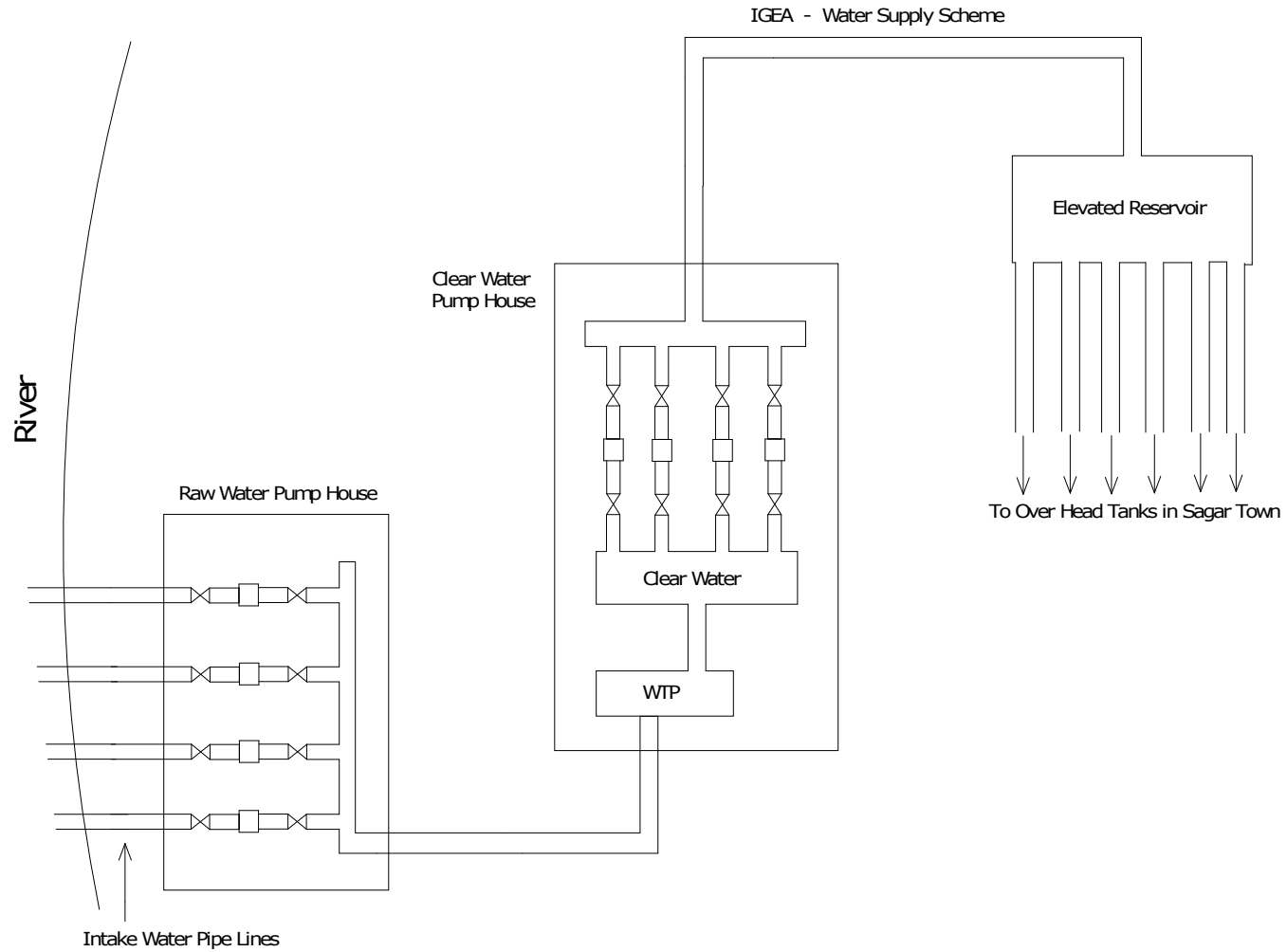
NAME OF ULB : Sagar Municipality, MP.

Date of Audit : 27.06.2009 to 28.06.2009.

ESCO : EPIC ENERGY Ltd., Mumbai, IGEA - Energy Auditor.

Name of Location : Rajghat Raw Water Pump House,

WTP & Clear Water Pump House.

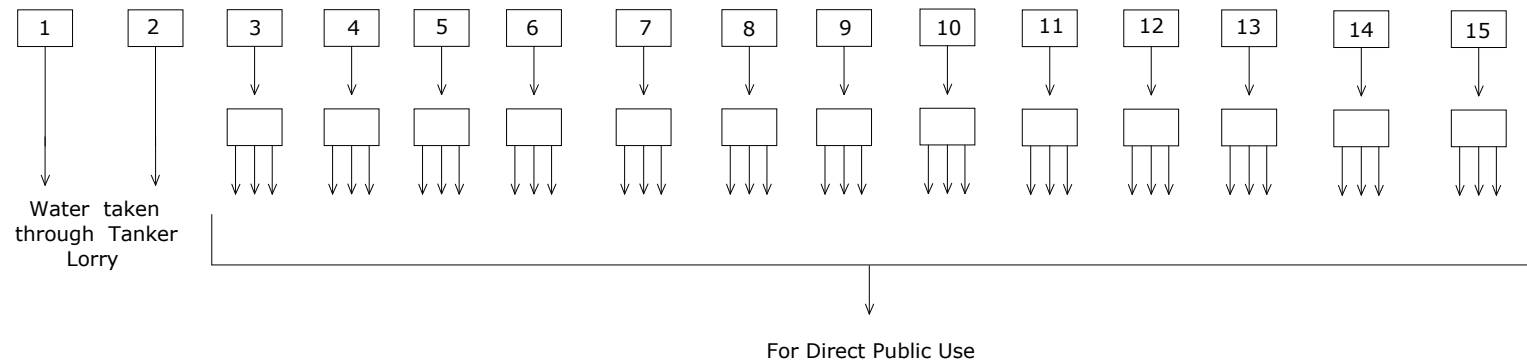


## BEE - MuDSM PROGRAMME

NAME OF ULB : Sagar Municipality, MP.

NANE OF ESCO : EPIC Energy Ltd, Mumbai.

### Submersible Pumping System



#### LEGEND :

1, 2 - Open Well Pumping System

3 to 15 - Submersible Pumping System

Total Connected Load - 79.5 Hp

# SAGAR BUILDING DIAGRAMS

